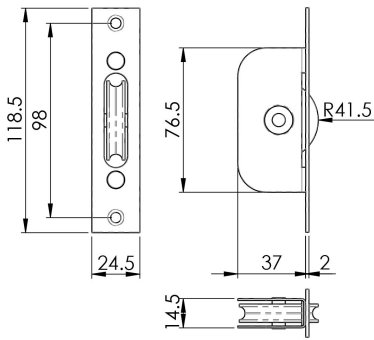


Sash Window Axle Pulley Galvanised Forend

AQ91



Sash window axle pulley with galvanised square forend and a nylon wheel. A range of sturdy axle pulleys for sliding sash windows. Sash window axle pulleys are used in traditional rise and fall sash windows to carry the cord attached to the window counter balance sash weight. Typically you will find four in any sash window, two for the top sash and two for the bottom sash.

