

Enduromax Standard Thrust Bearing Pivot Set

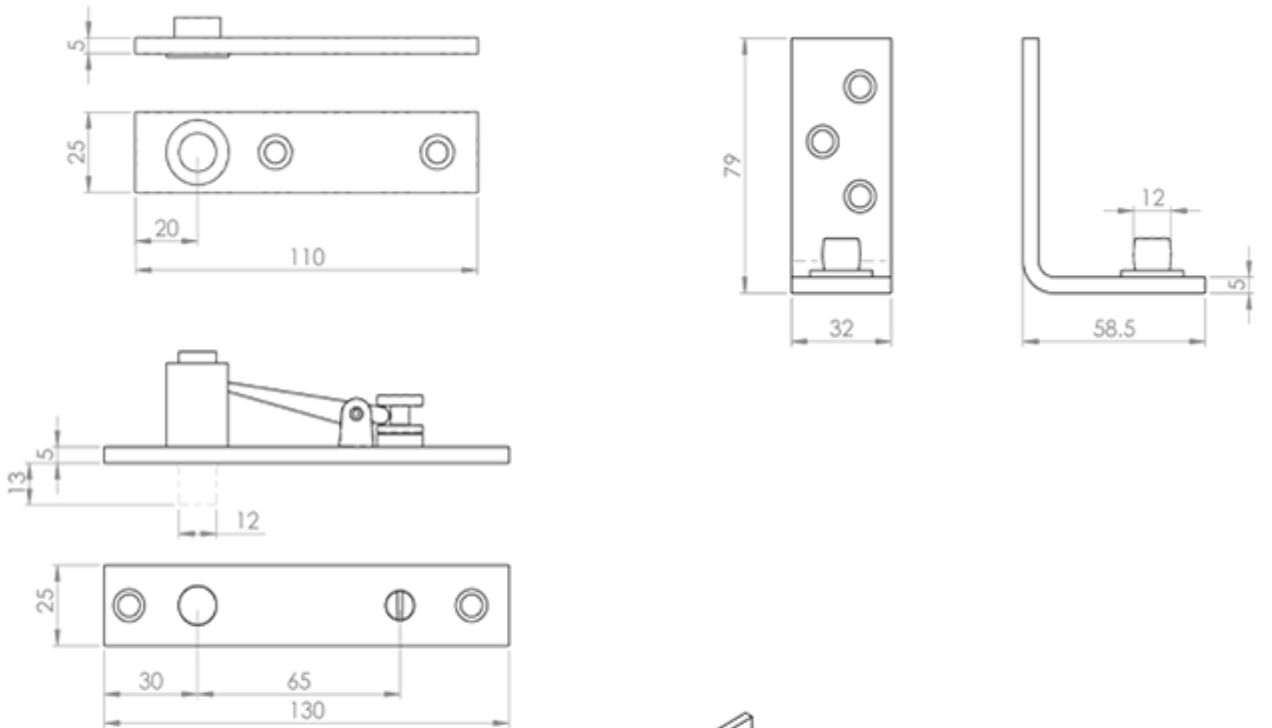
Product Images



Description

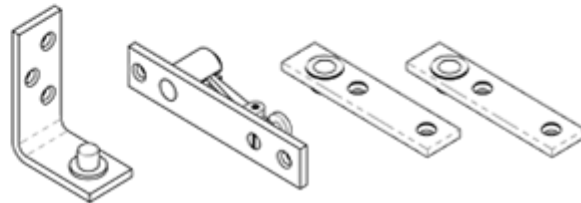
Standard Thrust Bearing Pivot Set (Max Load 80kg) Square or Radius options. Double Action Pivot Set which allows the door to be opened outwards in the case of an emergency. To be used in Conjunction with H2N1950 Emergency Release Door Stop. Comes with a 10 year mechanical guarantee. Suitable for use in all domestic, industrial and commercial environments.

Technical Details



H2N1900

This drawing is the property of Carlisle Brass Limited, all design rights reserved



Specification



Commercial



Domestic



Industrial

Additional Information

SKU	H2N1900
Brands	Eurospec
Technical	5,46,47,48
Line Drawings	H2N1900.PDF,H2N1900R.PDF

Product Options

Finishes:	Satin Stainless Steel
Options:	Thrust Bearing Pivot Set (Max Load 80kg)
	Thrust Bearing Pivot Set (Max Load 80kg) Radius