

Safety Lever on Narrow Backplate

Product Images

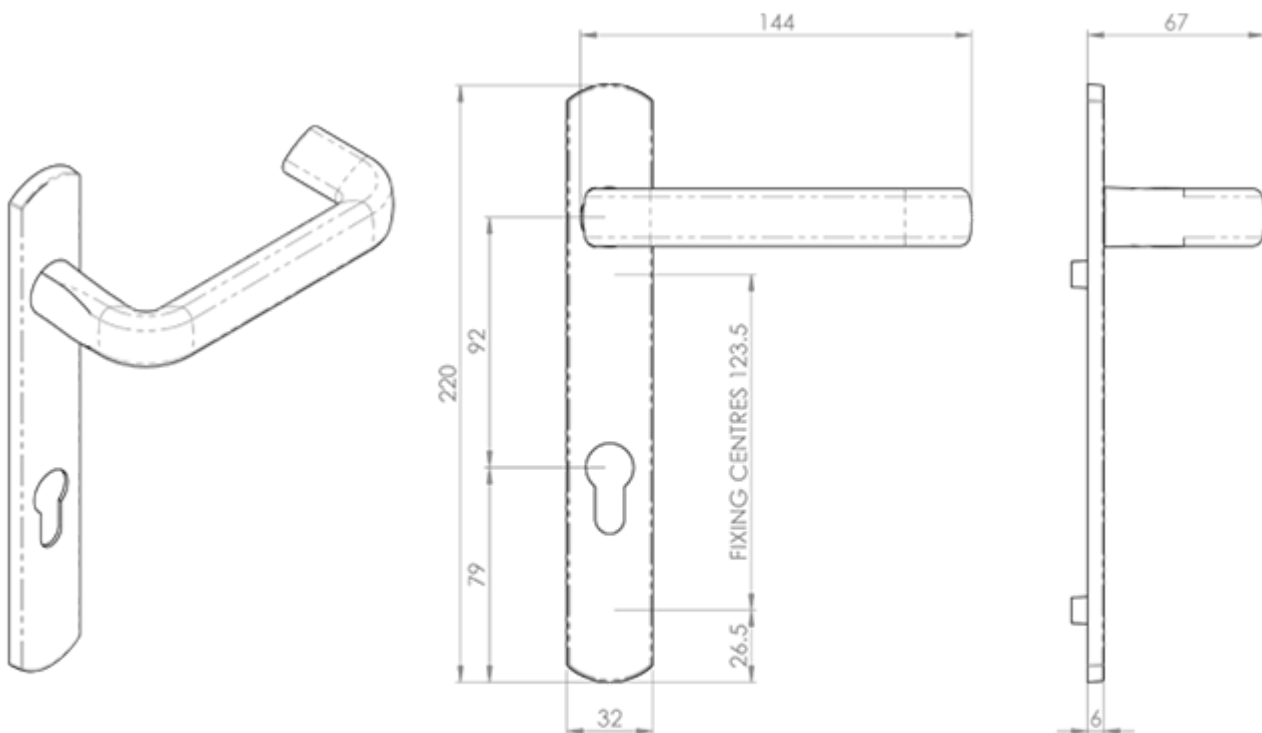


Description

A substantial round bar return to door safety lever on a narrow backplate. Part of the Steelworx range in Grade 316 Stainless Steel. Certified to BS EN

1906 and BS8300 to meet the needs of disabled people. Comes with a 25 year mechanical guarantee and is Fire door rated. Will suit commercial and modern residential projects as they provide the quality and durability to cope within these environments. Makes this ideal for public/office doors where a more ergonomic operation is a necessary requirement. Suitable for all domestic, commercial and industrial use.

Technical Details



SWNP41-92

This drawing is the property of Carlisle Brass Limited, all design rights reserved

Specification



Additional Information

SKU	SWNP41/92SSS
Brands	Eurospec
Finishes	Satin Stainless Steel
Sizes	220mm x 32mm Backplate, 92mm Centres
Technical	5,26
Line Drawings	SWNP41-92.PDF